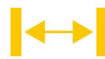


Capacity  
**300kg**



Travel  
**2400mm**



Pressure  
**0.5-0.8 Mpa**



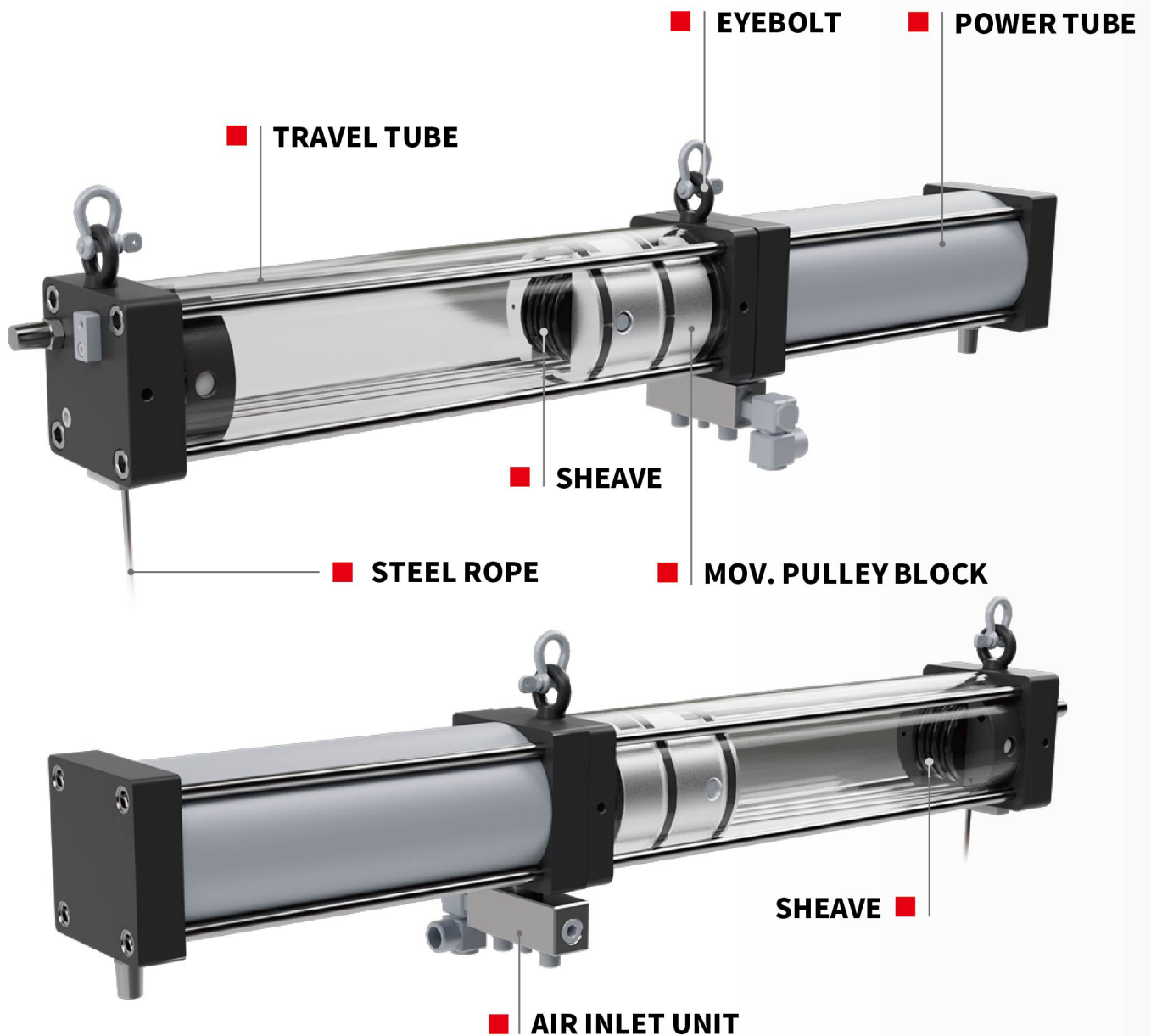
Version  
**HORIZONTAL**  
**VERTICAL**

# Air Balancer

LB-Series

# AIR BALANCER

## PRODUCT OVERVIEW



**LIFTOAL Air Balancer**, is an ergonomically designed pneumatic hoist for your repetitive lifting applications.

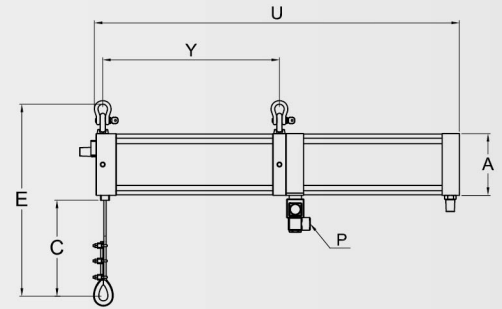
As a key component, Air Balancer is easy to be integrated into various kinds of manipulators and lifting equipment, which makes it widely applicable in most assembly and manufacturing industries.

“Float” function of a range of 100-150mm up or down, allows the placement more precisely without damaging product or machine.

No expensive electronic components contained, makes operation simple, maintenance easy and high safety.

## TECHNICAL DATA

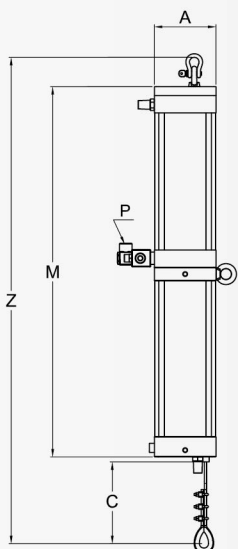
### Horizontal Style



Type	Load Capacity(kg)	Travel (mm)	A (mm)	C(mm)	E(mm)	U(mm)	Y(mm)	P(inch)
LBH-8-40-24	40	2400	94	180	350	983	540	PT1/2
LBH-8-80-24	80	2400	136	200	440	1034	585	PT1/2
LBH-8-160-24	160	2400	174	220	480	1174	710	PT1/2
LBH-6-50-18	50	1800	94	180	350	983	540	PT1/2
LBH-6-100-18	100	1800	136	200	440	1034	585	PT1/2
LBH-6-220-18	220	1800	174	220	480	1174	710	PT1/2
LBH-4-80-12	80	1200	94	180	350	983	540	PT1/2
LBH-4-160-12	160	1200	136	200	440	1034	585	PT1/2
LBH-4-300-12	300	1200	174	220	480	1174	710	PT1/2

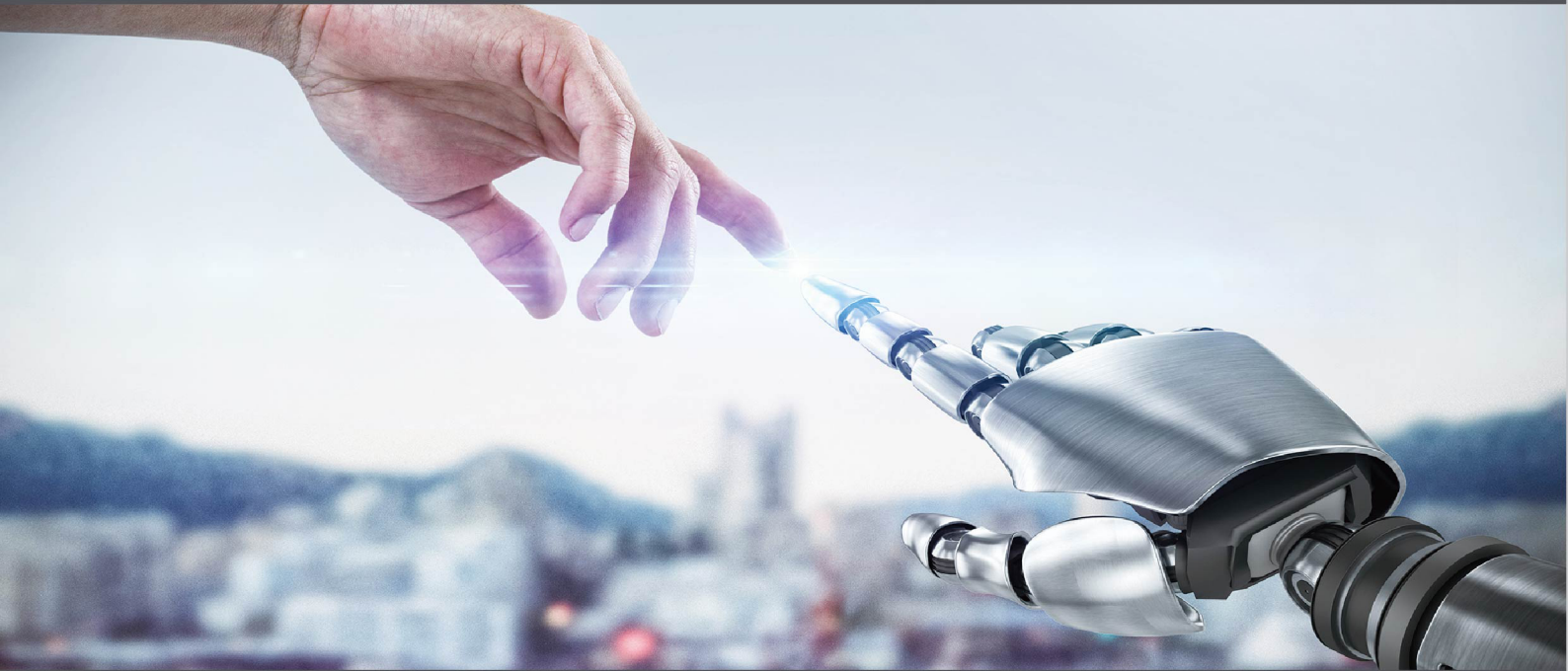
Note: The data could be adjusted according to the actual situation

### Vertical Style



TYPE	LOAD CAPACITY(KG)	TRAVEL (MM)	A (MM)	C(MM)	M(MM)	Z(MM)	P(INCH)
LBV-8-40-24	40	2400	94	180	1000	1255	PT1/2
LBV-8-80-24	80	2400	136	200	1050	1370	PT1/2
LBV-8-160-24	160	2400	174	220	1190	1485	PT1/2
LBV-6-50-18	50	1800	94	180	1000	1255	PT1/2
LBV-6-100-18	100	1800	136	200	1050	1370	PT1/2
LBV-6-220-18	220	1800	174	220	1190	1485	PT1/2
LBV-4-80-12	80	1200	94	180	1000	1255	PT1/2
LBV-4-160-12	160	1200	136	200	1050	1370	PT1/2
LBV-4-300-12	300	1200	174	220	1190	1485	PT1/2

Note: The data could be adjusted according to the actual situation



**Lifting Dreams into the Horizon**

[www.liftoal.com](http://www.liftoal.com)

[info@liftoal.com](mailto:info@liftoal.com)