

Capacity
650kg



Armreach
5000mm



Air Pressure
0.5-0.8 Mpa



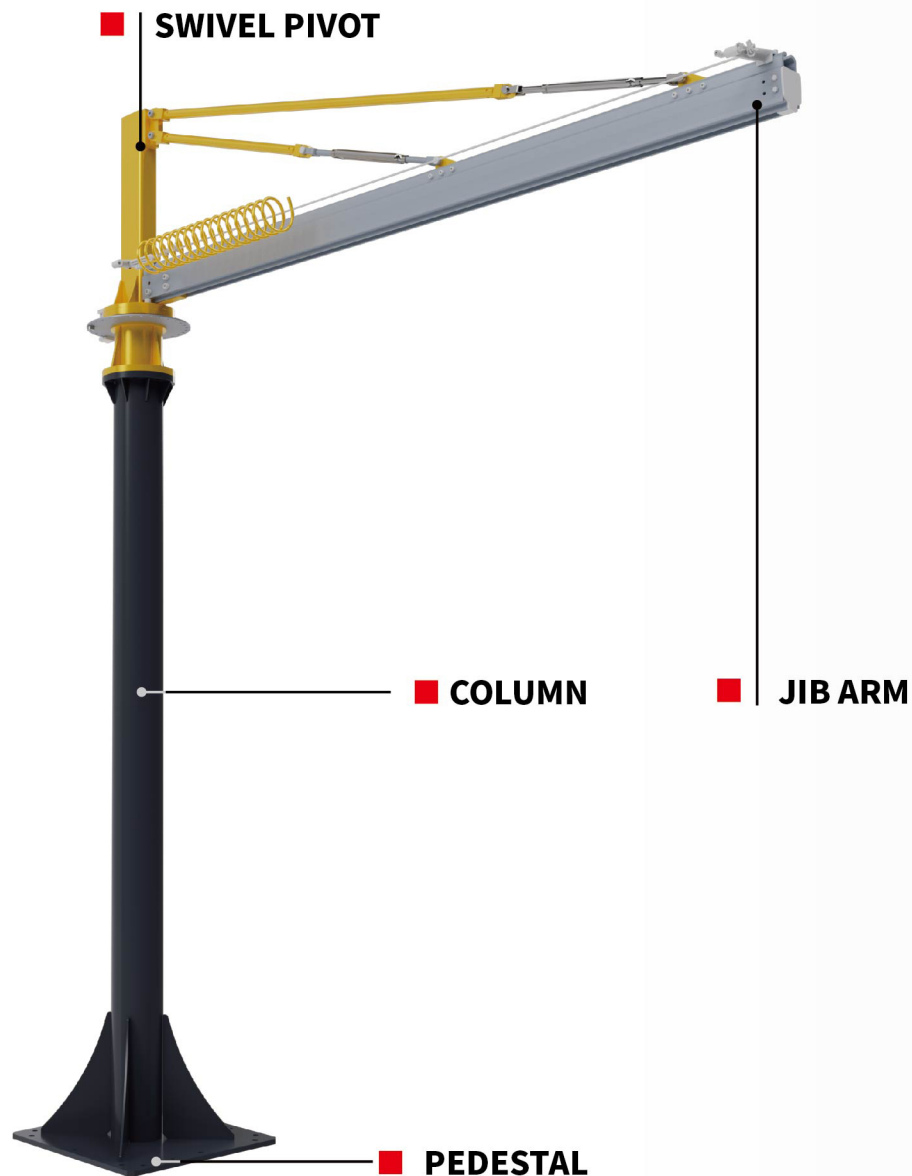
Version
CM - Column Mounted
WM - Wall Mounted

Jib Crane Assistor

PBC-JA FlexCable Manipulator

JIB CRANE ASSISTOR

PRODUCT OVERVIEW



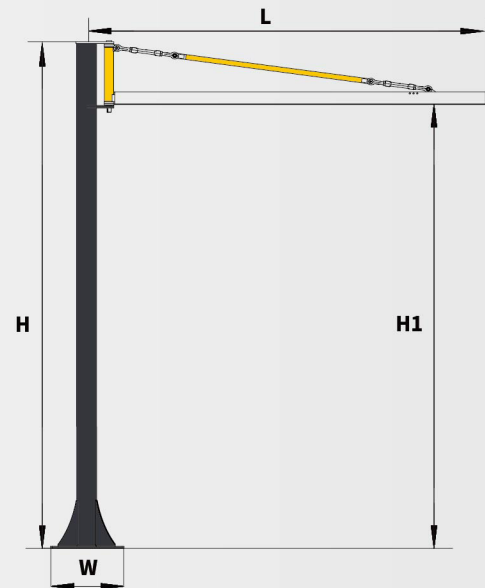
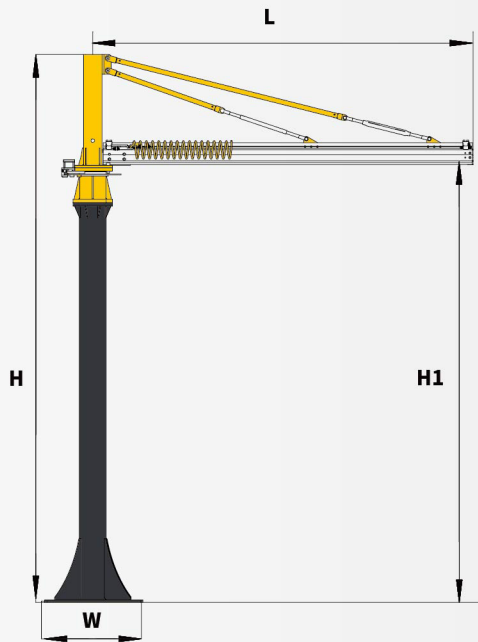
LIFTOAL Jib Crane Assistor, is an ergonomically designed FlexCable Manipulator, contributes to your healthier workplaces and more efficient productions.

Modular design makes it easy to combine with air balancer, intelligent balancer, chain hoist, vacuum lifter and other lifting devices, suitable for a variety of applications.

Column Mounted Jib Crane Assistor, offers lifting capacity up to 400kg, arm reach of 2- 5 meters and arm rotation over 270°, which makes it widely applicable in most assembly and manufacturing industries.

Wall Mounted Jib Crane Assistor, gives you the flexibility to fully utilize the plant when the space is limited.

TECHNICAL DATA



CM - Column Mounted

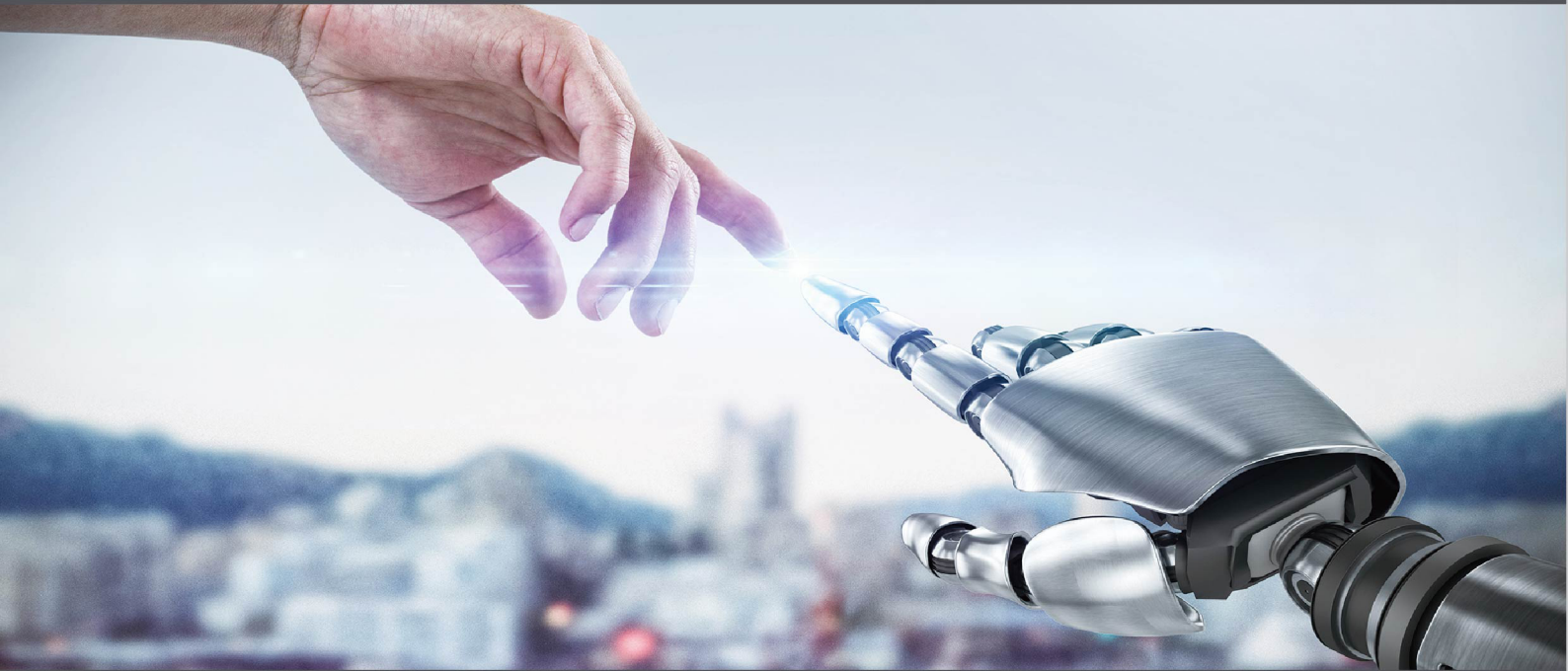
Type	PBC-JA-CM80	PBC-JA-CM125	PBC-JA-CM200	PBC-JA-CM300	PBC-JA-CM400
Max. load(kg)	80	125	200	300	400
Arm Reach L (mm)	2000-5000	2000-5000	2000-5000	2000-5000	2000-4000
Height H (mm)	3200	3200	3400	3400	3400
Height under Arm H1(mm)	2600	2600	2600	2600	2600
Pedestal W (mm)	400*400	600*600	600*600	800*800	1000*1000
Rotation(°)	360	360	360	360	360

Note: The Data could be adjusted according to the actual situation

WM - Wall Mounted

Type	PBC-JA-WM80	PBC-JA-WM125	PBC-JA-WM200	PBC-JA-WM300	PBC-JA-WM400	PBC-JA-WM500	PBC-JA-WM650
Max. load(kg)	80	125	200	300	400	500	650
Arm Reach L (mm)	2000-5000	2000-5000	2000-5000	2000-5000	2000-4000	2000-3000	2000-3000
Height H(mm)	800	900	900	900	1200	1200	1200
Rotation(°)	270	270	270	270	270	270	270

Note: 1. Height H, here, means the height of the installation structure. 2. The Data could be adjusted according to the actual situation.



Lifting Dreams into the Horizon

www.liftoal.com

info@liftoal.com