

Capacity  
**650kg**



Stroke  
**1500mm**



Air Pressure  
**0.5-0.8 Mpa**



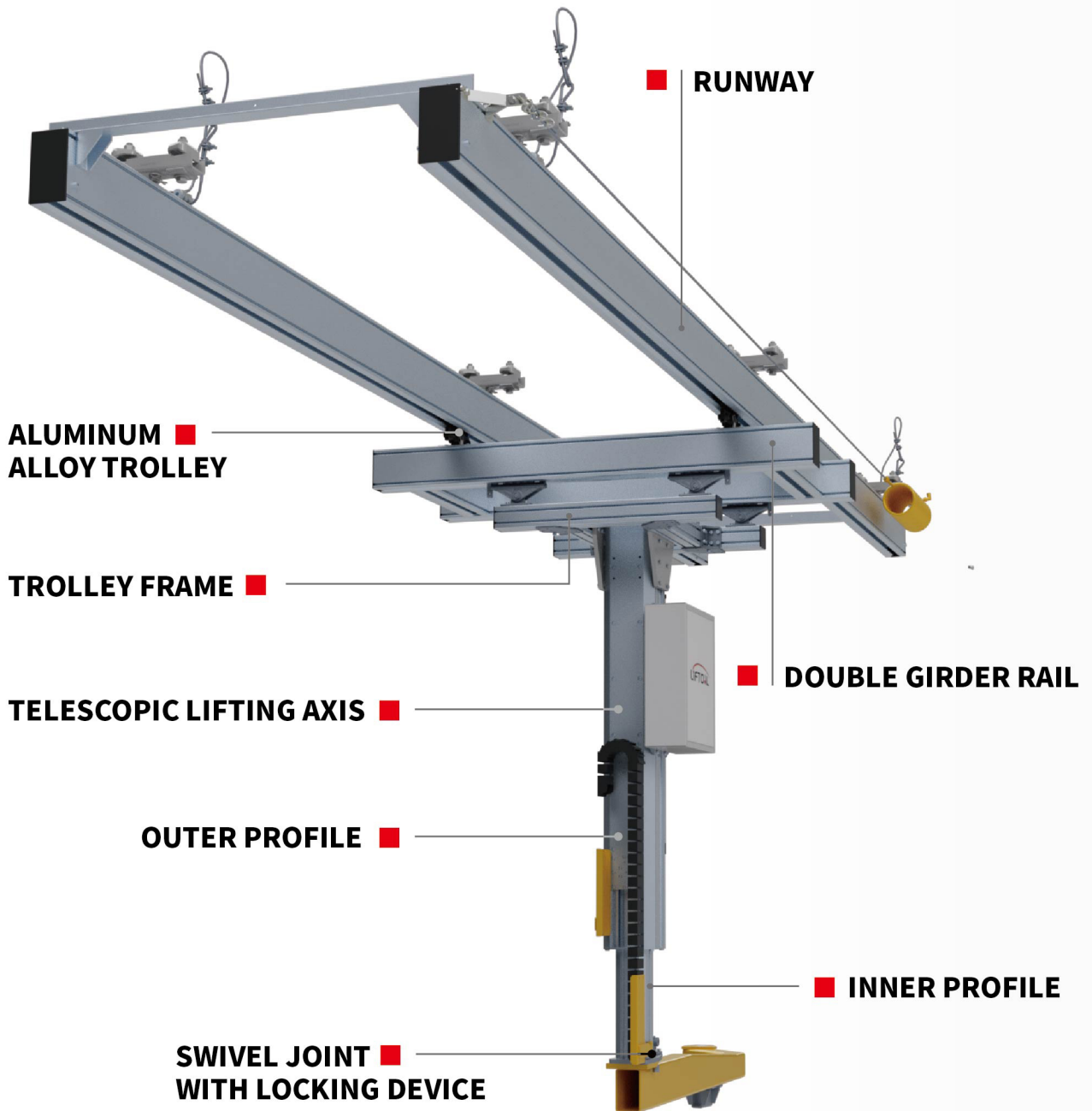
Version  
**Electric**  
**Pneumatic**

# RailGlide TeleBooster

PBT-TB StableArm Manipulator

# RAILGLIDE TELEBOOSTER

## PRODUCT OVERVIEW



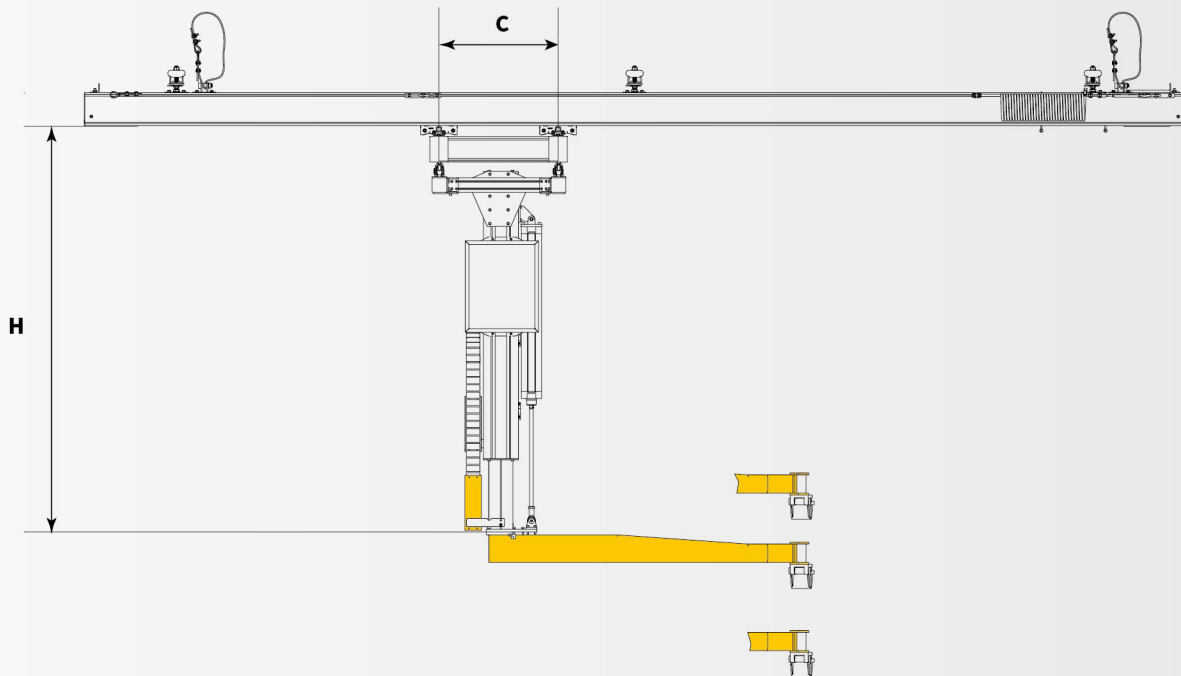
**LIFTOAL RailGlide TeleBooster**, is an ergonomically designed StableArm Manipulator, contributes to your healthier workplaces and more efficient productions.

Due to the lightweight design, RailGlide TeleBooster handles loads up and down easily with its double or triple telescopic profiles, even off-centered loads up to 2500Nm can be handled safely.

Electrically driven RailGlide TeleBooster, offers lifting capacity up to 650kg, which can be realized by motors, intelligent balancer or chain hoist. Pneumatically driven is another option for customers who prefer pneumatic tools.

Fitted with standardised or customized grippers, and different accessories, it is suitable to handle variable objects, such as panels, rolls, tanks, doors, windows, seats, and so on.

# TECHNICAL DATA



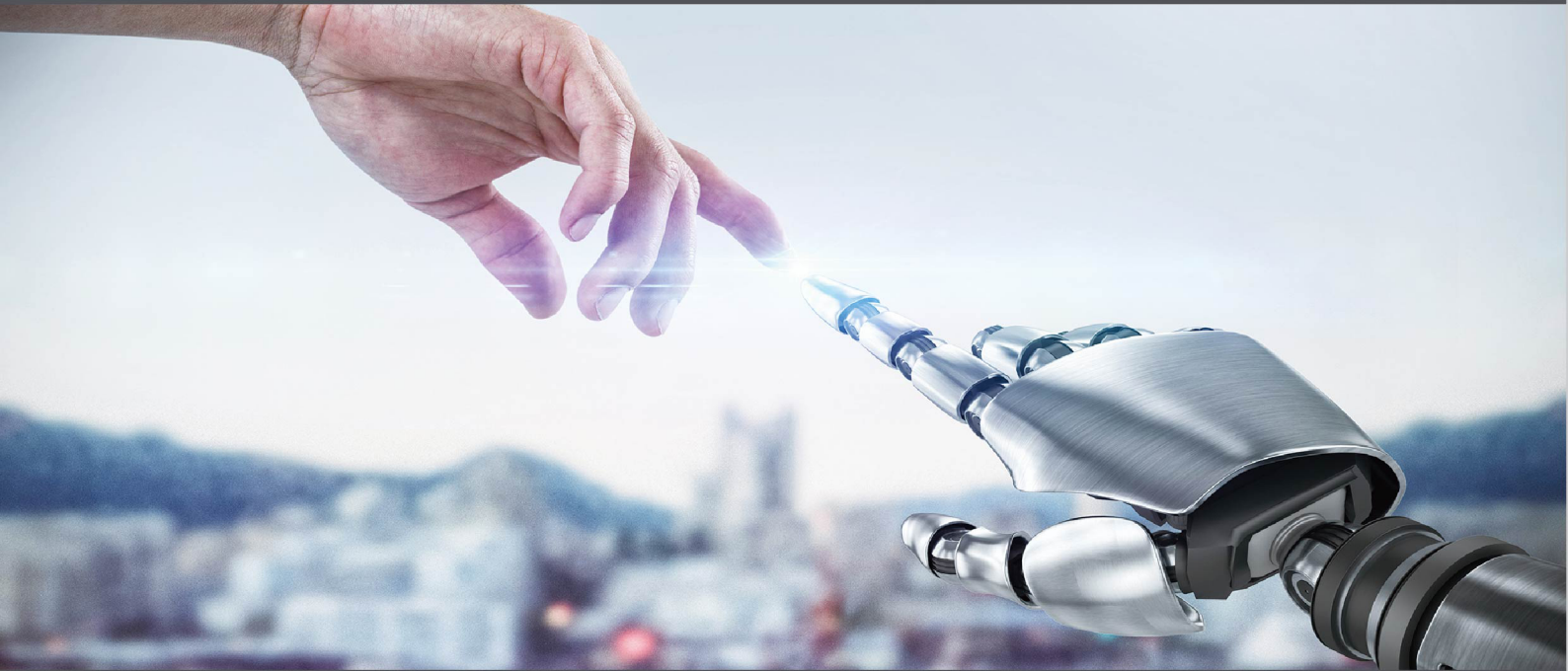
## Electrically driven

Type	PBT-TB-E75	PBT-TB-E150	PBT-TB-E250	PBT-TB-E400	PBT-TB-E650
Max. load(kg)	75	150	250	400	650
Max torque (Nm)	500	800	1000	1500	2500
Stroke (mm)	1000-1500	1000-1500	1000-1500	1000-1500	1000-1500
Overall Height L(mm)	1500-2500	1500-2500	1500-2500	1500-2500	1500-2500
Frame gauge C(mm)	750-1000	750-1000	750-1000	750-1000	750-1000
Lifting speed (m/min)	12	12	12	12	12

## Pneumatically driven

Type	PBT-TB-P75	PBT-TB-P150	PBT-TB-P250
Max. load(kg)	75	150	250
Max torque (Nm)	500	1000	2000
Stroke (mm)	1000-1500	1000-1500	1000-1500
Overall Height L(mm)	1500-2500	1500-2500	1500-2500
Frame gauge C(mm)	750-1000	750-1000	750-1000
Lifting speed (m/min)	15	15	15

Note: The data could be adjusted according to the actual situation



**Lifting Dreams into the Horizon**

[www.liftoal.com](http://www.liftoal.com)

[info@liftoal.com](mailto:info@liftoal.com)