



Capacity
125kg



Radius
2500mm



Air Pressure
0.5-0.8 Mpa



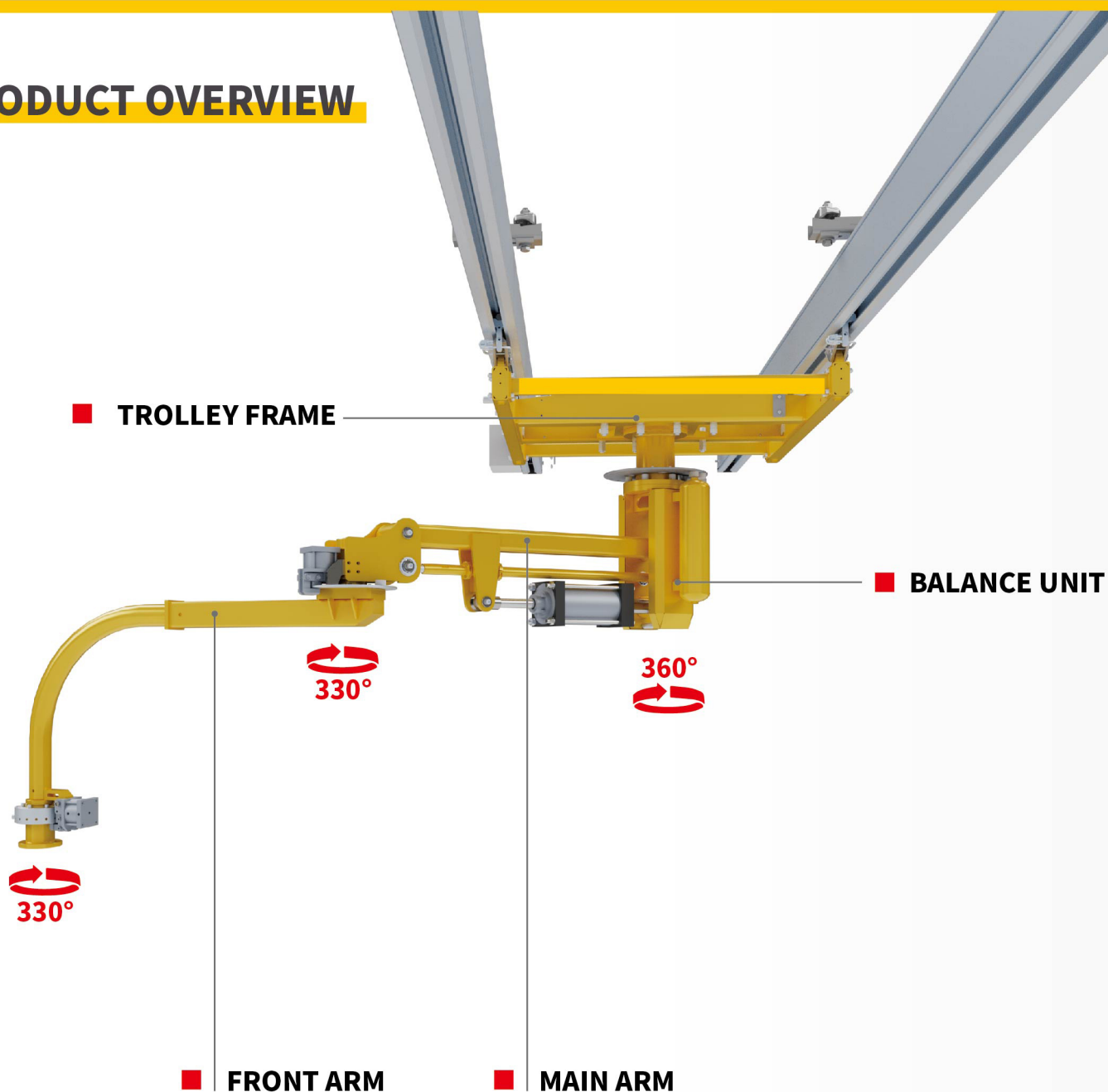
Version
SM - Suspension Mobile
SF - Suspension Fixed
CM - Column Mounted

SolidGrip MiniBooster

PBF-MB StableArm Manipulator

SOLIDGRIP MINIBOOSTER

PRODUCT OVERVIEW



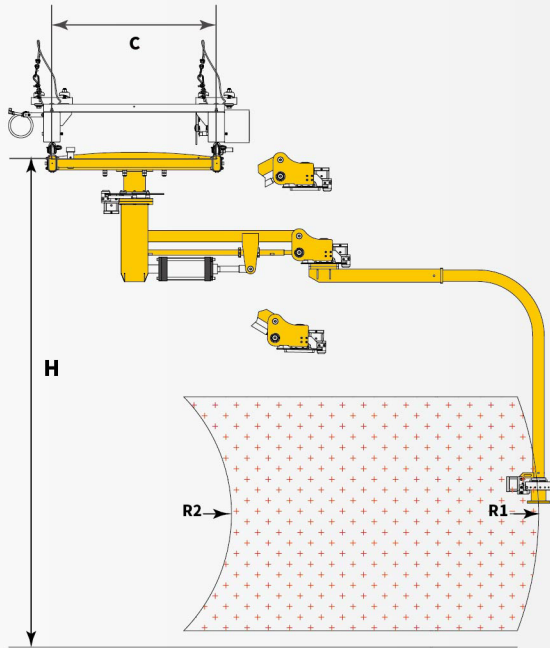
LIFTOAL SolidGrip MiniBooster, is an ergonomically designed StableArm Manipulator, contributes to your healthier workplaces and more efficient productions.

With the characteristics of rigid structure, smooth movement and adaptive balance floating state of any weight, it makes material lifting and assembling easy and fast, especially for the precise positioning of the workpiece.

SolidGrip MiniBooster, offers lifting capacity up to 125kg, due to its compact size, is a lifting device particularly easy to handle medium-light loads in assembly and manufacturing industries.

With three mounting versions, adaptable to various installation environments, you can easily find the suitable solution based on the specific requirement.

TECHNICAL DATA

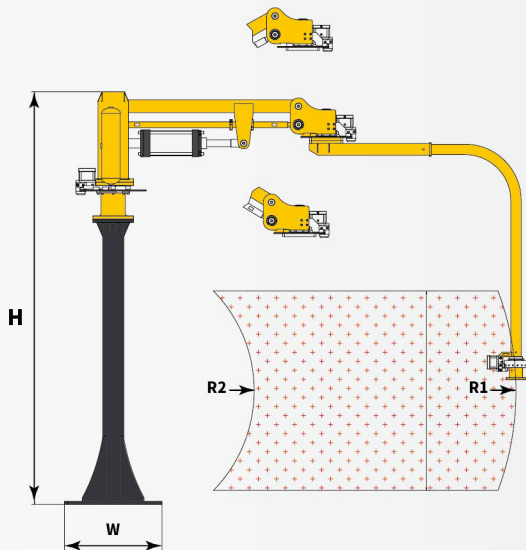


SM - Suspension Mobile(SF - Suspension Fixed)

Type	PBF-MB-SM50	PBF-MB-SM75	PBF-MB-SM100	PBF-MB-SM125
Max. load(kg)	50	75	100	125
Max radius R1 (mm)	2500	2500	2200	2200
Min radius R2 (mm)	1000	1000	800	650
Overall Height H (mm)	3800	3800	3600	3400
Trolley gauge C (mm)	750-1200	750-1200	750-1200	750-1200

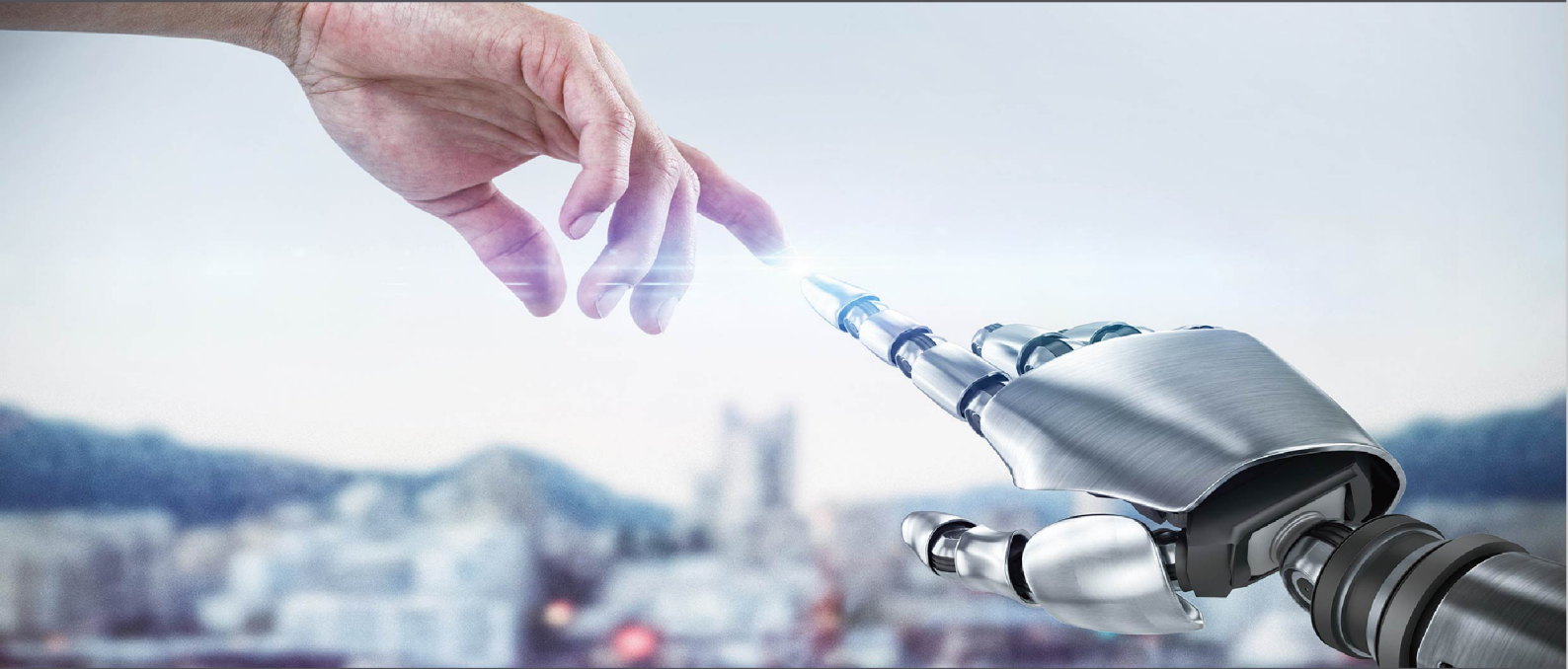
Note: The data could be adjusted according to the actual situation

CM - Column Mounted



Type	PBF-MB-CM50	PBF-MB-CM75	PBF-MB-CM100	PBF-MB-CM125
Max. load(kg)	50	75	100	125
Max radius R1 (mm)	2500	2500	2200	2200
Min radius R2 (mm)	1000	1000	800	650
Overall Height H (mm)	3600	3600	3300	3000
Pedestal W (mm)	500*500	500*500	500*500	500*500

Note: The data could be adjusted according to the actual situation



Lifting Dreams into the Horizon

www.liftoal.com

info@liftoal.com