



Capacity
300kg



Radius
3000mm



Air Pressure
0.5-0.8 Mpa



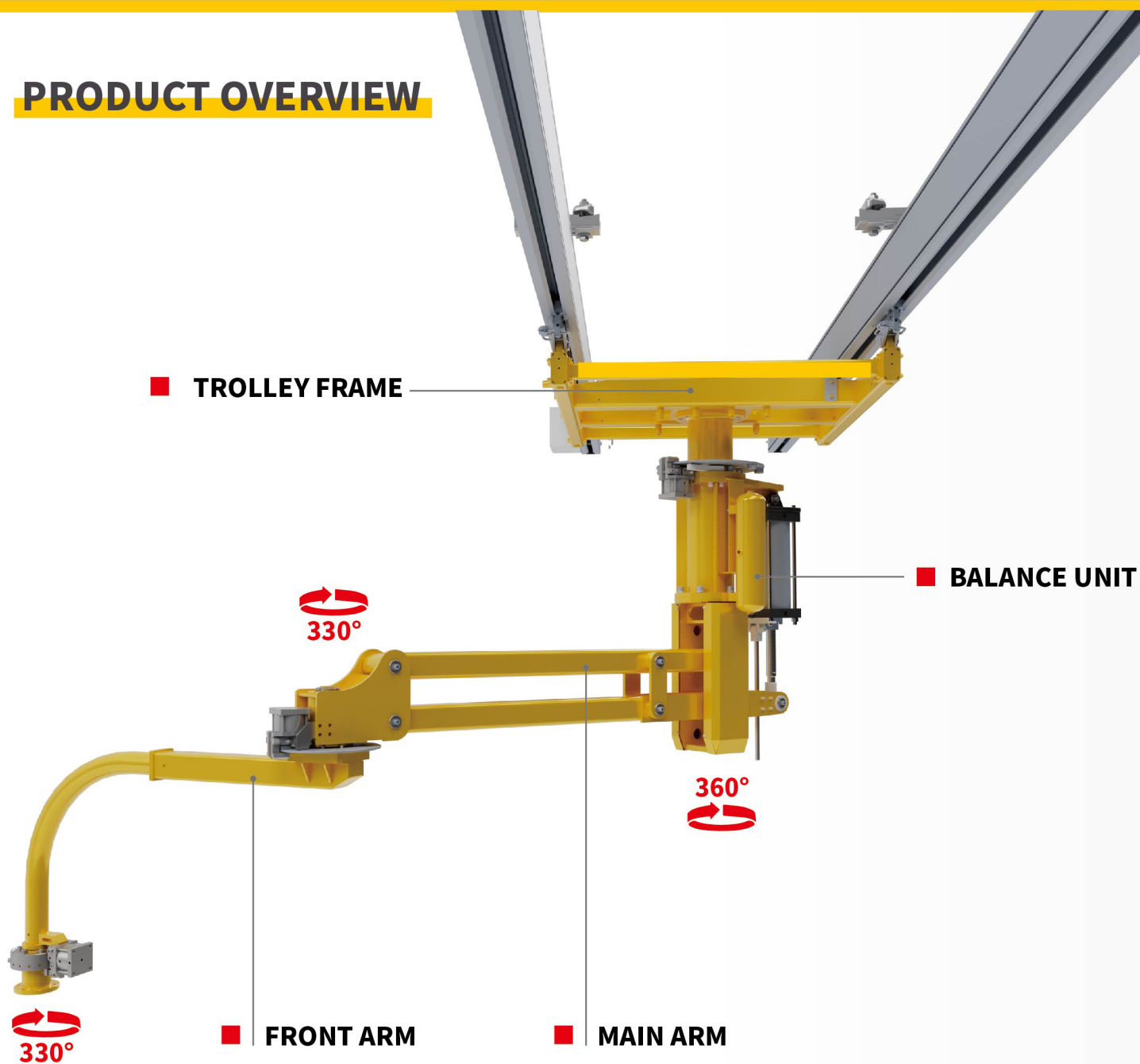
Version
SM - Suspension Mobile
SF - Suspension Fixed
CM - Column Mounted

SolidGrip ProBooster

PBF-PB StableArm Manipulator

SOLIDGRIP PROBOOSTER

PRODUCT OVERVIEW



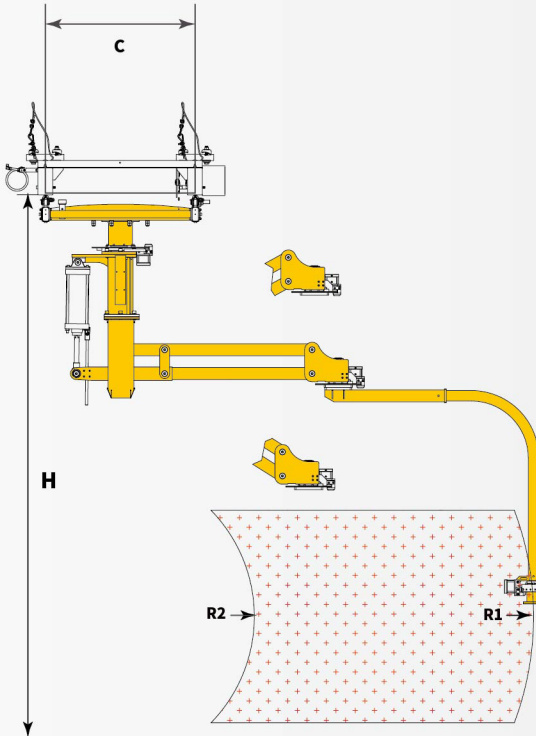
LIFTOAL SolidGrip ProBooster, is an ergonomically designed StableArm Manipulator, contributes to your healthier workplaces and more efficient productions.

With the characteristics of rigid structure, smooth movement and adaptive balance floating state of any weight, it makes material lifting and assembling easy and fast, especially for the precise positioning of the workpiece.

SolidGrip ProBooster, offers lifting capacity up to 300kg, radius of 3.0 meters and arm rotation over 330°, which makes it an ideal solution for material handling in the typical working conditions in assembly and manufacturing industries.

With three mounting versions, adaptable to various installation environments, you can easily find the suitable solution based on the specific requirement.

TECHNICAL DATA

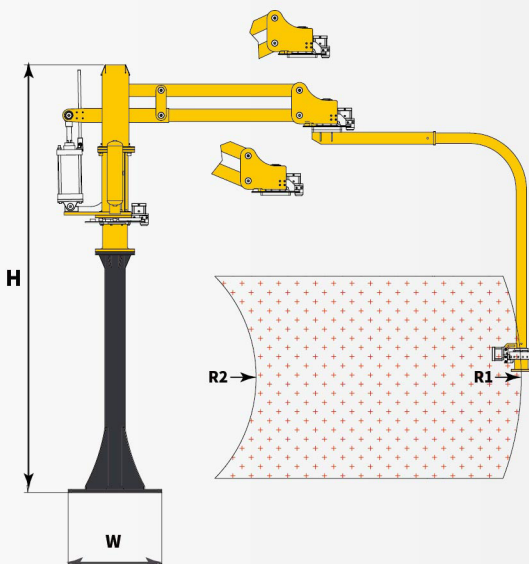


SM - Suspension Mobile(SF - Suspension Fixed)

Type	PBF-PB-SM100	PBF-PB-SM150	PBF-PB-SM200	PBF-PB-SM250	PBF-PB-SM300
Max. load(kg)	100	150	200	250	300
Max radius R1 (mm)	3000	3000	2500	2500	2200
Min radius R2 (mm)	800	800	700	700	600
Overall Height H (mm)	5000	5000	4800	4600	4400
Trolley gauge C (mm)	750-1200	750-1200	750-1200	750-1200	750-1200

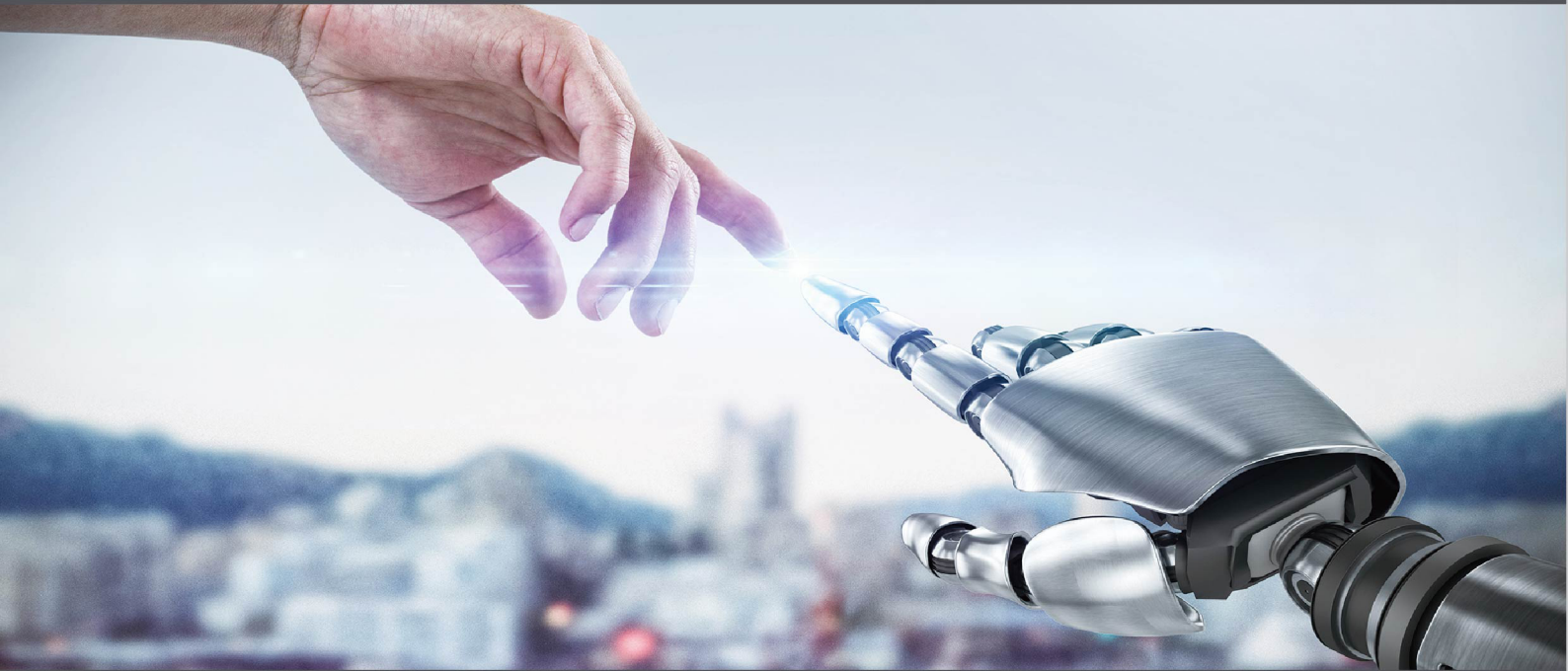
Note: The data could be adjusted according to the actual situation

CM - Column Mounted



Type	PBF-PB-CM100	PBF-PB-CM150	PBF-PB-CM200	PBF-PB-CM250	PBF-PB-CM300
Max. load(kg)	100	150	200	250	300
Max radius R1 (mm)	3000	3000	2500	2500	2200
Min radius R2 (mm)	800	800	700	700	600
Overall Height H (mm)	4600	4600	4400	4200	4000
Pedestal W (mm)	800*800	800*800	800*800	800*800	800*800

Note: The data could be adjusted according to the actual situation



Lifting Dreams into the Horizon

www.liftoal.com

info@liftoal.com