



Capacity
650kg



Radius
3000mm



Air Pressure
0.5-0.8 Mpa



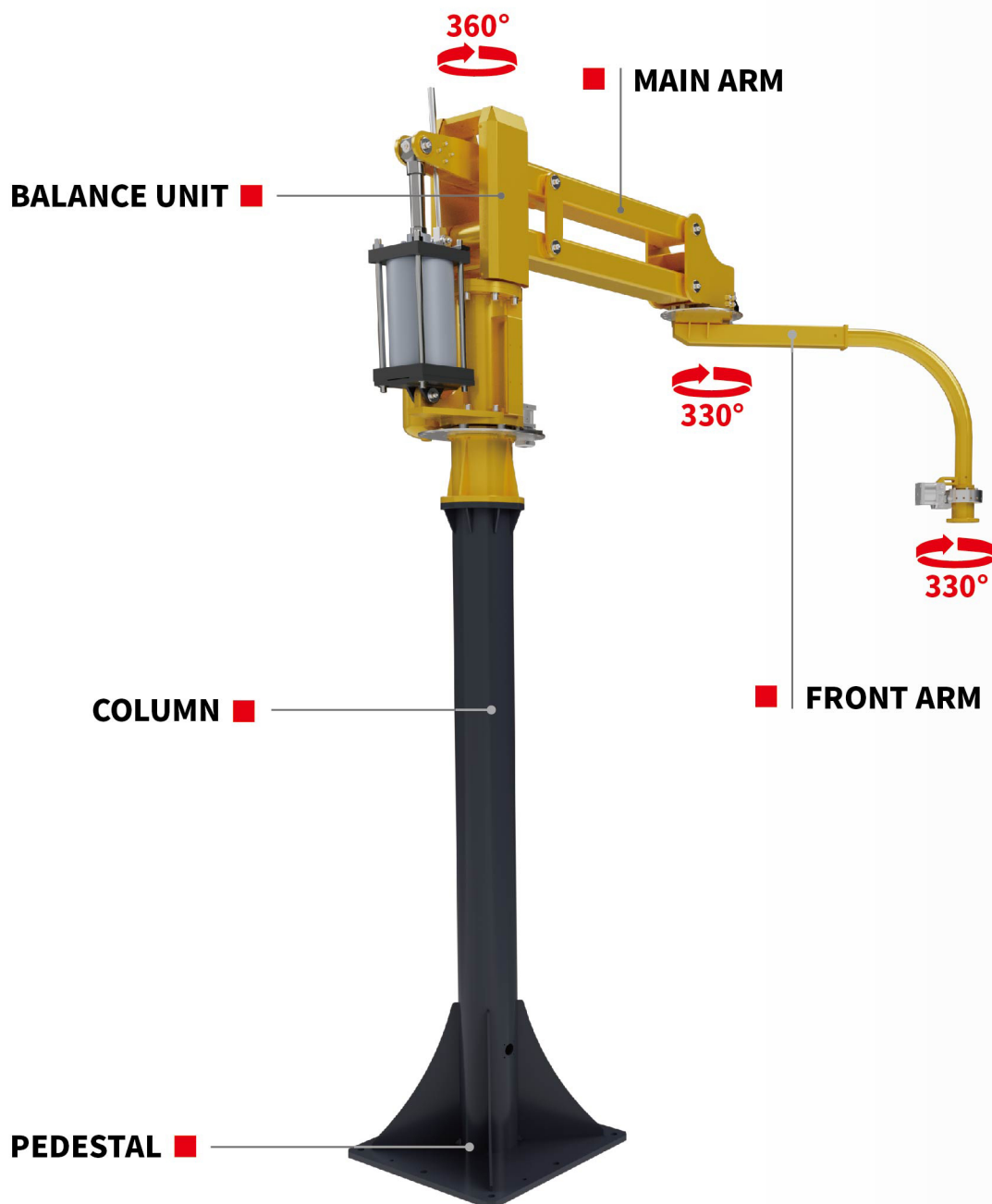
Version
CM - Column Mounted

SolidGrip SuperBooster

PBF-SB StableArm Manipulator

SOLIDGRIP SUPERBOOSTER

PRODUCT OVERVIEW



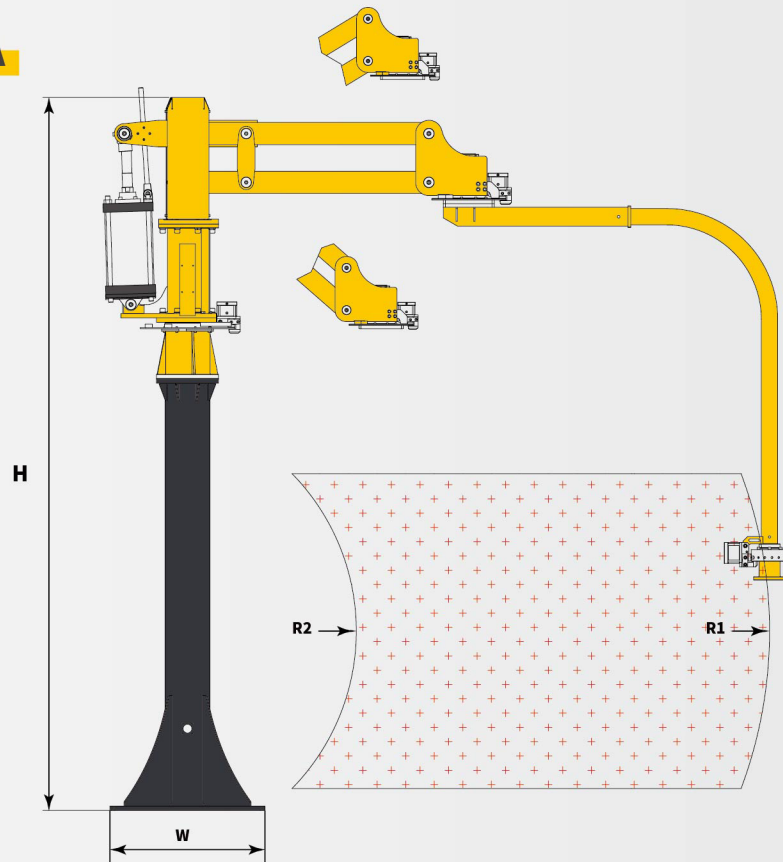
LIFTOAL SolidGrip SuperBooster, is an ergonomically designed StableArm Manipulator, contributes to your healthier workplaces and more efficient productions.

With the characteristics of rigid structure, smooth movement and adaptive balance floating state of any weight, it makes material lifting and assembling easy and fast, especially for the precise positioning of the workpiece.

SolidGrip SuperBooster, is a Manipulator with extremely high load capacity, able to handle loads up to 650kg, and reach radius up to 3 meters, which makes it an ideal solution in workplaces where heavy loads are handled.

Equipped with load indication, mis-operation protection, air failure protection and other safety devices, they assure the operator with the utmost safety.

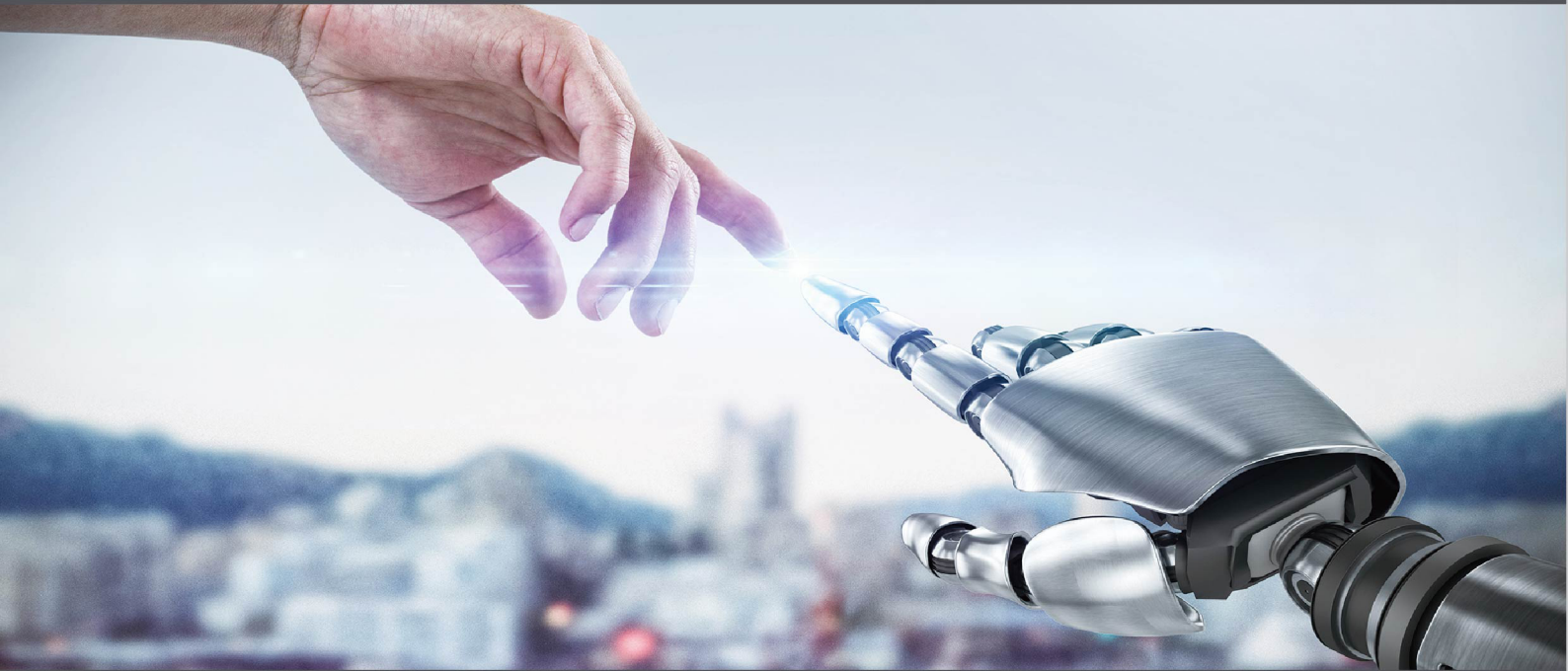
TECHNICAL DATA



CM - Column Mounted

Type	PBF-PB-CM350	PBF-PB-CM400	PBF-PB-CM450	PBF-PB-CM500	PBF-PB-CM550	PBF-PB-CM600	PBF-PB-CM650
Max. load(kg)	350	400	450	500	550	600	650
Max radius R1 (mm)	3000	3000	3000	2500	2500	2000	2000
Min radius R2 (mm)	1000	1000	1000	850	850	700	700
Overall Height H (mm)	5000	5000	5000	4600	4600	4300	4300
Pedestal W (mm)	1000*1000	1000*1000	1000*1000	1000*1000	1000*1000	1000*1000	1000*1000

Note: The data could be adjusted according to the actual situation



Lifting Dreams into the Horizon

www.liftoal.com

info@liftoal.com